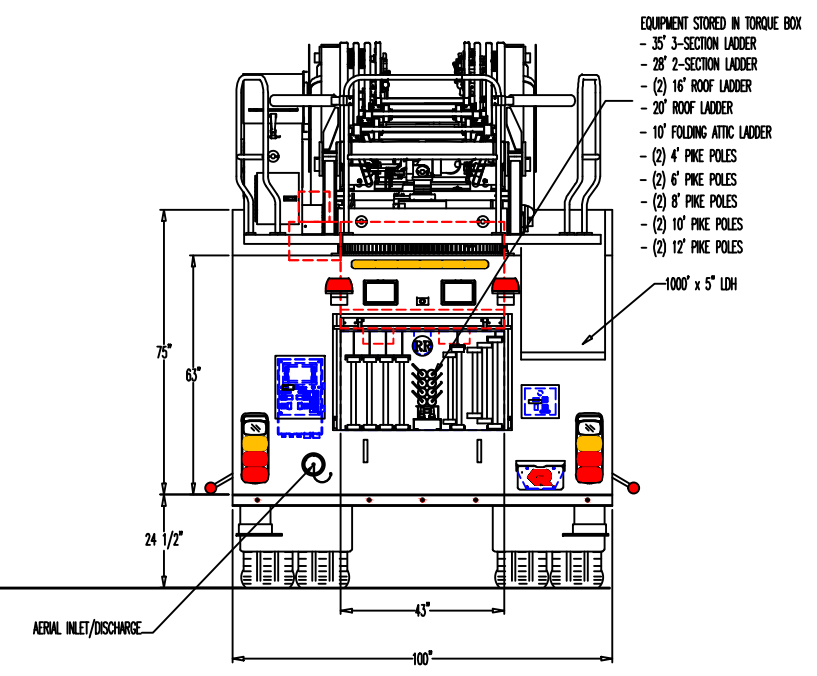
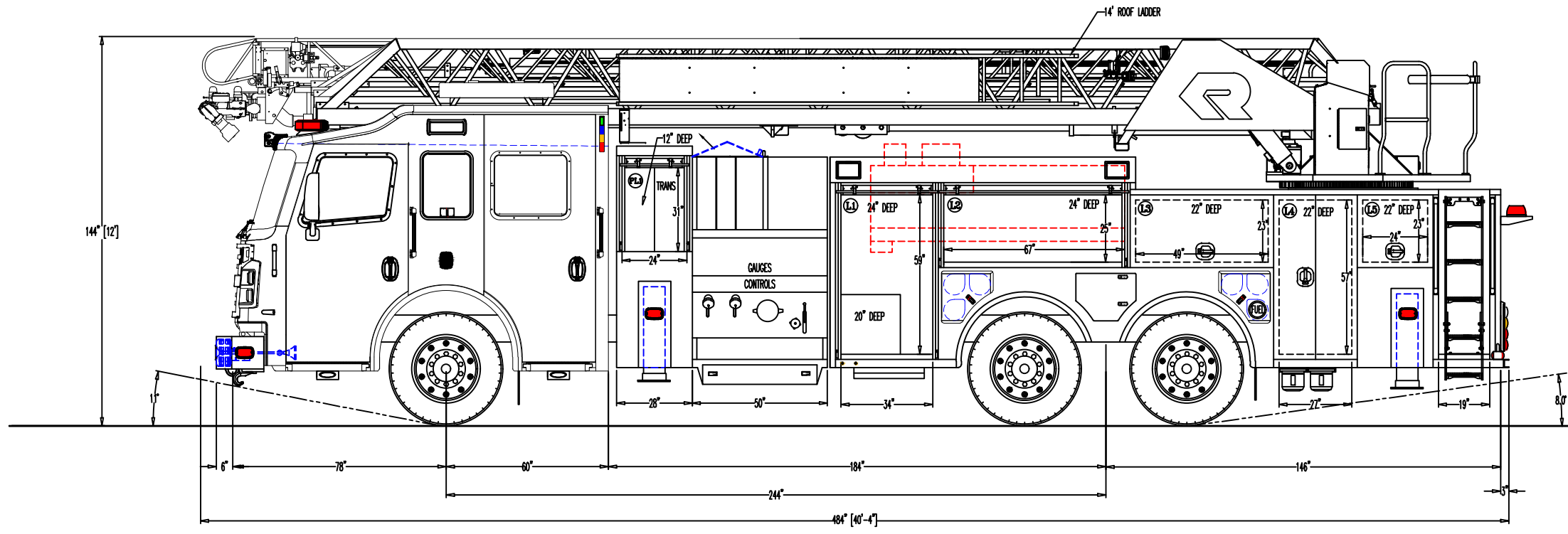
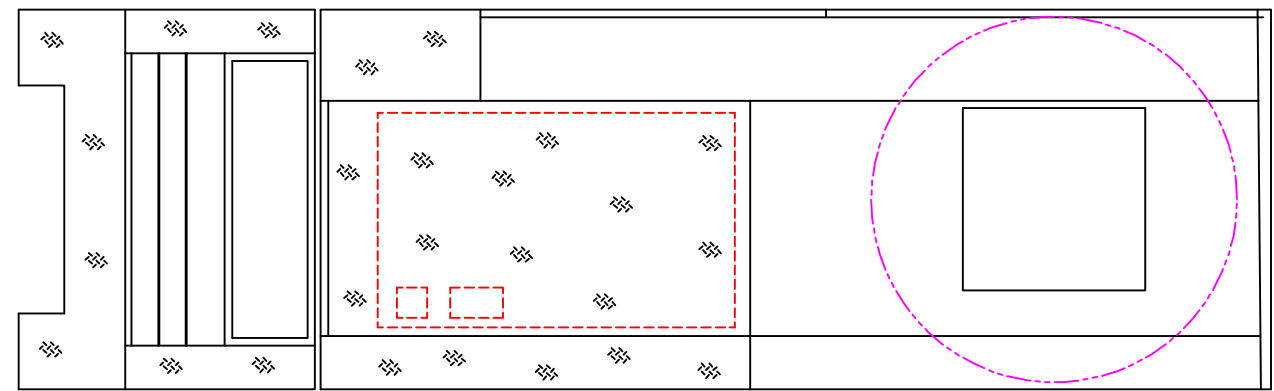
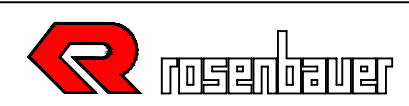


Q28 FULLY RECESSED



RMN DEMO 109' VIPER (BLACK)



ROSENBAUER EXT
 JOB NUMBER: 75526
 DRAWING NUMBER: P8415
 REV: 01

- NOTES:
- OVERALL HEIGHT IS IN LOADED CONDITION. UNLOADED HEIGHTS MAY BE 4" ABOVE HEIGHTS SHOWN.
 - DO NOT SCALE DRAWING.
 - ALL DIMENSIONS ARE APPROXIMATE AND SUBJECT TO ENGINEERING CHANGES.
 - DRAWING MAY OR MAY NOT SHOW ALL ITEMS AS DESCRIBED IN THE WRITTEN DETAIL SPECIFICATIONS.
 - INCLUSION OF AN ITEM ON THE DRAWING DOES NOT CONSTITUTE INCLUSION OF THAT ITEM WITH THE FINAL DELIVERED UNIT.

PROPRIETARY AND CONFIDENTIAL
 THE INFORMATION CONTAINED IN THIS DRAWING IS THE SOLE PROPERTY OF ROSENBAUER. ANY REPRODUCTION IN PART OR AS A WHOLE WITHOUT THE WRITTEN PERMISSION OF ROSENBAUER IS PROHIBITED.

REVISIONS:	DATE:	APPROVED BY:	CHASSIS: ROSENBAUER 6011
REVISIONS:	DATE:		PUMP: ROSENBAUER N110 2250 GPM
REVISIONS: ATG	DATE: 05-16-2022 (R-02)		TANK: POLY 500/30
DRAWN: JMV	DATE: 03-24-2022 (BASE 109 VIPER)		TYPE: AERIAL
		MAXIMUM HEIGHT	NONE
		MAXIMUM LENGTH	NONE
		BODY WIDTH	100"
			AERIAL: 109' VIPER