

Prepared for: Paul Hentges

Rosenbauer South Dakota
Prepared by: BRIAN BARRY
01/13/2022



Barry Motor Company | Highway 175 Danbury Iowa | 51019

2022 F-450 Chassis 4x4 SD Crew Cab 179" WB DRW XL (W4H)

Price Level: 245

Selected Equip & Specs

Dimensions

• Exterior length: 265.2" • Cab to axle: 60.0" • Exterior width: 80.0" • Exterior height: 81.8" • Wheelbase: 179.0" • Front track: 74.8" • Rear track: 74.0" • Turning radius: 25.6' • Rear tire outside width: 93.9" • Min ground clearance: 8.2" • Front legroom: 43.9" • Rear legroom: 43.6" • Front headroom: 40.8" • Rear headroom: 40.4" • Front hiproom: 62.5" • Rear hiproom: 64.7" • Front shoulder room: 66.7" • Rear shoulder room: 65.9" • Passenger volume: 131.7cu.ft. • Cargo volume: 52.1cu.ft. • Maximum cargo volume: 52.1cu.ft.

Powertrain

• 350hp 7.3L OHV 16 valve V-8 engine with DEVCT variable valve control, SMPI • Recommended fuel : regular unleaded • federal • TorqShift 10 speed automatic transmission with overdrive • Part-time • Fuel Economy Cty: N/A • Fuel Economy Highway: N/A

Suspension/Handling

• Front Mono-beam non-independent suspension with anti-roll bar, HD shocks • Rear DANA M300 rigid axle leaf spring suspension with anti-roll bar, HD shocks • Firm ride Suspension • Hydraulic power-assist re-circulating ball Steering • Front and rear 19.5 x 6 argent steel wheels * **LT225/70SR19.5 GBSW AT front and rear tires** • Dual rear wheels

Body Exterior

• 4 doors • Conventional left rear passenger • Conventional right rear passenger * **Driver and passenger power remote heated, manual folding door mirrors with turn signal indicator * Turn signal indicator in mirrors** • Black door mirrors • Black bumpers • Trailer harness • Clearcoat paint • Front and rear 19.5 x 6 wheels • 2 front tow hook(s)

Convenience

• Manual air conditioning with air filter * **Power windows * Driver and passenger 1-touch up * Driver and passenger 1-touch down * Remote power door locks with 2 stage unlock and illuminated entry** • Manual tilt steering wheel • Manual telescopic steering wheel • Day-night rearview mirror • FordPass Connect 4G internet access • 911 Assist emergency SOS • Wireless phone connectivity • AppLink smart device integration • 2 1st row LCD monitors • Front and rear cupholders • Passenger visor mirror • Full overhead console * **Driver and passenger door bins * Rear door bins** • Upfitter switches

Seats and Trim

• Seating capacity of 6 • Front 40-20-40 split-bench seat • 4-way driver seat adjustment • Manual driver lumbar support • 4-way passenger seat adjustment • Centre front armrest with storage • 60-40 folding rear split-bench seat

Entertainment Features

• AM/FM stereo radio • SYNC external memory control • Steering wheel mounted radio controls • 4 speakers • Streaming audio • Fixed antenna

Lighting, Visibility and Instrumentation

• Halogen aero-composite headlights • Delay-off headlights • Auto on/off headlights • Variable intermittent front windshield wipers • Light tinted windows • Front and rear reading lights • Tachometer • Oil pressure gauge • Compass • Outside temperature display • Trip computer • Trip odometer

Prices and content availability as shown are subject to change and should be treated as estimates only. Actual base vehicle, package and option pricing may vary from this estimate because of special local pricing, availability or pricing adjustments not reflected in the dealer's computer system. See salesperson for the most current information.

Prepared for: Paul Hentges

Rosenbauer South Dakota
Prepared by: BRIAN BARRY
01/13/2022



Barry Motor Company | Highway 175 Danbury Iowa | 51019

2022 F-450 Chassis 4x4 SD Crew Cab 179" WB DRW XL (W4H)

Price Level: 245

Selected Equip & Specs (cont'd)

Safety and Security

• 4-wheel ABS brakes • Brake assist • 4-wheel disc brakes • Driveline traction control • Dual front impact airbag supplemental restraint system • Dual seat mounted side impact airbag supplemental restraint system • Safety Canopy System curtain 1st and 2nd row overhead airbag supplemental restraint system * **Remote activated perimeter/approach lighting** * **Power remote door locks with 2 stage unlock and panic alarm** * **Security system with SecuriLock immobilizer** * **MyKey restricted driving mode** • Manually adjustable front head restraints • 3 manually adjustable rear head restraints

Dimensions

General Weights

* Curb	7,512 lbs.	GVWR	16,500 lbs.
Payload	9,070 lbs.		

Front Weights

* Front GAWR	7,000 lbs.	* Front curb weight	4,296 lbs.
Front axle capacity	6,500 lbs.	* Front spring rating	7,000 lbs.
Front tire/wheel capacity	7,500 lbs.		

Rear Weights

Rear GAWR	12,880 lbs.	* Rear curb weight	3,215 lbs.
Rear axle capacity	12,880 lbs.	Rear spring rating	12,880 lbs.
Rear tire/wheel capacity	15,000 lbs.		

Trailer Type

Harness	Yes	Trailer sway control	Yes
---------------	-----	----------------------------	-----

General Trailering

5th-wheel towing capacity	19600 lbs.	Gooseneck towing capacity	19600 lbs.
Towing capacity	17500 lbs.	GCWR	28000 lbs.

Fuel Tank type

Capacity	40 gal.
----------------	---------

Off Road

Min ground clearance	8 "
----------------------------	-----

Interior cargo

Cargo volume	52.1 cu.ft.	Maximum cargo volume	52.1 cu.ft.
--------------------	-------------	----------------------------	-------------

Rear Frame

Height loaded	29 "	Height unloaded	34 "
---------------------	------	-----------------------	------

Powertrain

Prices and content availability as shown are subject to change and should be treated as estimates only. Actual base vehicle, package and option pricing may vary from this estimate because of special local pricing, availability or pricing adjustments not reflected in the dealer's computer system. See salesperson for the most current information.

Prepared for: Paul Hentges

Rosenbauer South Dakota
 Prepared by: BRIAN BARRY
 01/13/2022



Barry Motor Company | Highway 175 Danbury Iowa | 51019

2022 F-450 Chassis 4x4 SD Crew Cab 179" WB DRW XL (W4H)

Price Level: 245

Selected Equip & Specs (cont'd)

Engine Type

Block material	Iron	Cylinders	V-8
Head material	Aluminum	Ignition	Spark
Injection	Sequential MPI	Liters	7.3L
Orientation	Longitudinal	Recommended fuel	Regular unleaded
Valves per cylinder	2	Valvetrain	OHV
Variable valve control	DEVCT		

Engine Spec

Bore	4.21"	Compression ratio	10.5:1
Displacement	445 cu.in.	Stroke	3.98"

Engine Power

SAEJ1349 AUG2004 compliant	Yes	Output	350 HP @ 3,900 RPM
Torque	468 ft.-lb @ 3,900 RPM		

Alternator

* Type	Dual	* Amps	397
--------	------	--------	-----

Battery

Amp hours	78	Cold cranking amps	750
Run down protection	Yes	* Type	Dual

Transmission

Electronic control	Yes	Lock-up	Yes
Overdrive	Yes	Speed	10
Type	Automatic		

Transmission Gear Ratios

1st	4.615	2nd	2.919
3rd	2.132	4th	1.773
5th	1.519	6th	1.277
7th	1	8th	0.851
9th	0.687	10th	0.632
Reverse Gear ratios	4.695		

Transmission Torque Converter

Stall ratio	1.97
-------------	------

Transmission Extras

Driver selectable mode	Yes	Sequential shift control	SelectShift
Oil cooler	Regular duty		

Drive Type

4wd type	Part-time	Type	Four-wheel
----------	-----------	------	------------

Prices and content availability as shown are subject to change and should be treated as estimates only. Actual base vehicle, package and option pricing may vary from this estimate because of special local pricing, availability or pricing adjustments not reflected in the dealer's computer system. See salesperson for the most current information.

Prepared for: Paul Hentges



Rosenbauer South Dakota
Prepared by: BRIAN BARRY
01/13/2022

Barry Motor Company | Highway 175 Danbury Iowa | 51019

2022 F-450 Chassis 4x4 SD Crew Cab 179" WB DRW XL (W4H)

Price Level: 245

Selected Equip & Specs (cont'd)

Drive Feature

Traction control Driveline Locking hub control Auto
Transfer case shift Electronic

Drive Axle

Ratio 4.88

Exhaust

Material Stainless steel System type Single

Emissions

CARB Federal

Fuel Economy

Fuel type Gasoline

Driveability

Brakes

ABS 4-wheel ABS channels 4
Type 4-wheel disc Vented discs Front and rear

Brake Assistance

Brake assist Yes

Suspension Control

Ride Firm

Front Suspension

Independence Mono-beam non-independent Anti-roll bar Regular

Front Spring

Type Coil * Grade HD

Front Shocks

Type HD

Rear Suspension

Independence DANA M300 rigid axle Type Leaf
Anti-roll bar Regular

Rear Spring

Type Leaf Grade HD

Rear Shocks

Type HD

Steering

Prices and content availability as shown are subject to change and should be treated as estimates only. Actual base vehicle, package and option pricing may vary from this estimate because of special local pricing, availability or pricing adjustments not reflected in the dealer's computer system. See salesperson for the most current information.

Prepared for: Paul Hentges

Rosenbauer South Dakota
 Prepared by: BRIAN BARRY
 01/13/2022



Barry Motor Company | Highway 175 Danbury Iowa | 51019

2022 F-450 Chassis 4x4 SD Crew Cab 179" WB DRW XL (W4H)

Price Level: 245

Selected Equip & Specs (cont'd)

Activation Hydraulic power-assist Type Re-circulating ball

Steering Specs

of wheels 2

Exterior

Front Wheels

Diameter 19.5" Width 6.00"

Rear Wheels

Diameter 19.5" Width 6.00"
 Dual Yes

Front and Rear Wheels

Appearance Argent Material Steel

Front Tires

Aspect 70 Diameter 19.5"
 Sidewalls BSW Speed S
 * Tread AT Type LT
 Width 225mm LT load rating G
 * RPM 645

Rear Tires

Aspect 70 Diameter 19.5"
 Sidewalls BSW Speed S
 * Tread AT Type LT
 Width 225mm LT load rating G
 * RPM 645

Wheels

Front track 74.8" Rear track 74.0"
 Turning radius 25.6' Wheelbase 179.0"
 Rear tire outside width 93.9"

Body Features

Front splash guards Yes Body material Aluminum
 Side impact beams Yes Front tow hook(s) 2

Body Doors

Door count 4 Left rear passenger Conventional
 Right rear passenger Conventional

Exterior Dimensions

Length 265.2" Body width 80.0"

Prices and content availability as shown are subject to change and should be treated as estimates only. Actual base vehicle, package and option pricing may vary from this estimate because of special local pricing, availability or pricing adjustments not reflected in the dealer's computer system. See salesperson for the most current information.

Prepared for: Paul Hentges

Rosenbauer South Dakota
Prepared by: BRIAN BARRY
01/13/2022



Barry Motor Company | Highway 175 Danbury Iowa | 51019

2022 F-450 Chassis 4x4 SD Crew Cab 179" WB DRW XL (W4H)

Price Level: 245

Selected Equip & Specs (cont'd)

Body height	81.8"	Cab to axle	60.0"
Axle to end of frame	47.2"	Frame section modulus	12.7cu.in.
Frame yield strength (psi)	50000.0	Frame rail width	34.2"
Front bumper to Front axle	38.3"	Cab to end of frame	107.2"
Front bumper to back of cab	158.1"		

Safety

Airbags

Driver front-impact	Yes	Driver side-impact	Seat mounted
Overhead	Safety Canopy System curtain 1st and 2nd row	Passenger front-impact	Yes
Passenger side-impact	Seat mounted		

Seatbelt

Height adjustable	Front
-------------------	-------

Security

* Immobilizer	SecuriLock	* Panic alarm	Yes
* Restricted driving mode	MyKey		

Seating

Passenger Capacity

Capacity	6
----------	---

Front Seats

Split	40-20-40	Type	Split-bench
-------	----------	------	-------------

Driver Seat

Fore/aft	Manual	Reclining	Manual
Way direction control	4	Lumbar support	Manual

Passenger seat

Fore/aft	Manual	Reclining	Manual
Way direction control	4		

Front Head Restraint

Control	Manual	Type	Adjustable
---------	--------	------	------------

Front Armrest

Centre	Yes	Storage	Yes
--------	-----	---------	-----

Rear Seats

Descriptor	Split-bench	Facing	Front
Folding	60-40	Folding position	Fold-up cushion
Type	Fixed		

Prices and content availability as shown are subject to change and should be treated as estimates only. Actual base vehicle, package and option pricing may vary from this estimate because of special local pricing, availability or pricing adjustments not reflected in the dealer's computer system. See salesperson for the most current information.

Prepared for: Paul Hentges

Rosenbauer South Dakota
Prepared by: BRIAN BARRY
01/13/2022



Barry Motor Company | Highway 175 Danbury Iowa | 51019

2022 F-450 Chassis 4x4 SD Crew Cab 179" WB DRW XL (W4H)

Price Level: 245

Selected Equip & Specs (cont'd)

Rear Head Restraints

Control Manual Type Adjustable
Number 3

Front Seat Trim

Material Vinyl Back material Vinyl

Rear Seat Trim Group

Material Vinyl Back material Carpet

Convenience

AC And Heat Type

Air conditioning Manual Air filter Yes
Underseat ducts Yes

Audio System

Radio AM/FM stereo Radio grade Regular
Seek-scan Yes External memory control SYNC

Audio Speakers

Speaker type Regular Speakers 4

Audio Controls

Steering wheel controls Yes Voice activation Yes
Streaming audio Bluetooth yes

Audio Antenna

Type Fixed

LCD Monitors

1st row 2 Primary monitor size (inches) 4.2

Convenience Features

* Retained accessory power Yes 12V DC power outlet 3
Emergency SOS 911 Assist Wireless phone connectivity Bluetooth
Smart device integration App link Upfitter switches Yes

Door Lock Activation

* Type Power with 2 stage unlock * Remote Keyfob (all doors)
* Integrated key/remote Yes

Door Locks Extra FOB Controls

Remote engine start Smart device only

Instrumentation Type

Appearance Analog

Prices and content availability as shown are subject to change and should be treated as estimates only. Actual base vehicle, package and option pricing may vary from this estimate because of special local pricing, availability or pricing adjustments not reflected in the dealer's computer system. See salesperson for the most current information.

Prepared for: Paul Hentges



Rosenbauer South Dakota
Prepared by: BRIAN BARRY
01/13/2022

Barry Motor Company | Highway 175 Danbury Iowa | 51019

2022 F-450 Chassis 4x4 SD Crew Cab 179" WB DRW XL (W4H)

Price Level: 245

Selected Equip & Specs (cont'd)

Instrumentation Gauges

Tachometer	Yes	Oil pressure	Yes
Engine temperature	Yes	Transmission fluid temp	Yes
Engine hour meter	Yes		

Instrumentation Warnings

Oil pressure	Yes	Engine temperature	Yes
Battery	Yes	Lights on	Yes
Key	Yes	Low fuel	Yes
Door ajar	Yes	Service interval	Yes
Brake fluid	Yes		

Instrumentation Displays

Clock	In-radio display	Compass	Yes
Exterior temp	Yes	Systems monitor	Yes

Instrumentation Feature

Trip computer	Yes	Trip odometer	Yes
---------------------	-----	---------------------	-----

Steering Wheel Type

Material	Urethane	Tilting	Manual
Telescoping	Manual		

Front Side Windows

* **Window 1st row activation** **Power**

Windows Rear Side

* **2nd row activation** **Power**

Window Features

* 1-touch down	Driver and passenger	* 1-touch up	Driver and passenger
Tinted	Light		

Front Windshield

Wiper

Variable intermittent

Rear Windshield

Window

Fixed

Interior

Passenger Visor

Mirror

Yes

Rear View Mirror

Day-night

Yes

Prices and content availability as shown are subject to change and should be treated as estimates only. Actual base vehicle, package and option pricing may vary from this estimate because of special local pricing, availability or pricing adjustments not reflected in the dealer's computer system. See salesperson for the most current information.

Prepared for: Paul Hentges

Rosenbauer South Dakota
Prepared by: BRIAN BARRY
01/13/2022



Barry Motor Company | Highway 175 Danbury Iowa | 51019

2022 F-450 Chassis 4x4 SD Crew Cab 179" WB DRW XL (W4H)

Price Level: 245

Warranty

Standard Warranty

Basic

Distance 36,000 miles Months 36 months

Powertrain

Distance 60,000 miles Months 60 months

Corrosion Perforation

Distance Unlimited miles Months 60 months

Roadside Assistance

Distance 60,000 miles Months 60 months

Prices and content availability as shown are subject to change and should be treated as estimates only. Actual base vehicle, package and option pricing may vary from this estimate because of special local pricing, availability or pricing adjustments not reflected in the dealer's computer system. See salesperson for the most current information.

Prepared for: Paul Hentges

Rosenbauer South Dakota
 Prepared by: BRIAN BARRY
 01/13/2022



Barry Motor Company | Highway 175 Danbury Iowa | 51019

2022 F-450 Chassis 4x4 SD Crew Cab 179" WB DRW XL (W4H)

Price Level: 245

As Configured Vehicle

Code	Description	MSRP
Base Vehicle		
W4H	Base Vehicle Price (W4H)	\$48,710.00
Packages		
650A	Order Code 650A <i>Includes:</i> - Engine: 7.3L 2V DEVCT NA PFI V8 Gas - Transmission: TorqShift 10-Speed Automatic 10R140 with neutral idle and selectable drive modes: normal, tow/haul, eco, deep sand/snow and slippery. - 4.88 Axle Ratio - GVWR: 16,500 lb Payload Package - Wheels: 19.5" x 6" Argent Painted Steel Hub covers/center ornaments not included. - HD Vinyl 40/20/40 Split Bench Seat Includes center armrest, cupholder, storage and driver's side manual lumbar. - Radio: AM/FM Stereo w/MP3 Player Includes 6 speakers. - SYNC Communications & Entertainment System Includes enhanced voice recognition, 911 Assist, 4.2" LCD center stack screen, AppLink, 1 smart-charging USB port and steering wheel audio controls.	N/C
Powertrain		
99N	Engine: 7.3L 2V DEVCT NA PFI V8 Gas	Included
44G	Transmission: TorqShift 10-Speed Automatic 10R140 with neutral idle and selectable drive modes: normal, tow/haul, eco, deep sand/snow and slippery.	Included
X48	4.88 Axle Ratio	Included
STDGV	GVWR: 16,500 lb Payload Package	Included
Wheels & Tires		
TGK	Tires: 225/70R19.5G BSW Traction (TGK) Includes 4 traction tires on the rear and 2 traction tires on the front. Not recommended for over the road applications; could incur irregular front tire wear and/or NVH.	\$215.00
64Z	Wheels: 19.5" x 6" Argent Painted Steel Hub covers/center ornaments not included.	Included
Seats & Seat Trim		
A	HD Vinyl 40/20/40 Split Bench Seat	Included

Prices and content availability as shown are subject to change and should be treated as estimates only. Actual base vehicle, package and option pricing may vary from this estimate because of special local pricing, availability or pricing adjustments not reflected in the dealer's computer system. See salesperson for the most current information.

Prepared for: Paul Hentges

Rosenbauer South Dakota
 Prepared by: BRIAN BARRY
 01/13/2022



Barry Motor Company | Highway 175 Danbury Iowa | 51019

2022 F-450 Chassis 4x4 SD Crew Cab 179" WB DRW XL (W4H)

Price Level: 245

As Configured Vehicle (cont'd)

Code	Description	MSRP
	<i>Includes center armrest, cupholder, storage and driver's side manual lumbar.</i>	
Other Options		
PAINT	Monotone Paint Application	STD
179WB	179" Wheelbase	STD
STDRD	Radio: AM/FM Stereo w/MP3 Player <i>Includes 6 speakers. Includes: - SYNC Communications & Entertainment System Includes enhanced voice recognition, 911 Assist, 4.2" LCD center stack screen, AppLink, 1 smart-charging USB port and steering wheel audio controls.</i>	Included
90L	Power Equipment Group <i>Deletes passenger side lock cylinder. Includes upgraded door-trim panel. Includes: - Accessory Delay - Advanced Security Pack Includes SecurILock Passive Anti-Theft System (PATS) and inclination/intrusion sensors. - Folding Trailer Tow Mirrors w/Power Heated Glass Includes manual telescoping, heated convex spotter mirror and integrated clearance lamps/turn signals. - MyKey Includes owner controls feature. - Power Front & Rear Side Windows Includes 1-touch up/down driver/passenger window. - Power Locks - Remote Keyless Entry</i>	\$1,125.00
86S	Low Deflection Package <i>Includes 2-inch spacer blocks. Recommended for rear-biased loading, such as wrecker/retriever applications.</i>	\$110.00
86M	Dual 78 AH Battery	\$210.00
18A	Upfitter Interface Module	\$295.00
67B	397 Amp Alternators	Included
63A	Utility Lighting System <i>Includes LED side-mirror spotlights.</i>	\$160.00

Fleet Options

47A	Ambulance Prep Package (LPO) Requires valid FIN code. <i>Includes upgraded front springs/GAWR rating, please see supplemental order guide, or visit fordabas.com for complete details. Incomplete vehicle package - requires further manufacture and certification by a final stage manufacturer. Ford vehicles are suitable for producing ambulances only if equipped with the Ford Ambulance Prep Package. In addition, Ford urges ambulance manufacturers to follow the recommendations of the Ford Incomplete Vehicle Manual and the Ford Truck Body Builders Layout Book (and pertinent supplements). Using a Ford vehicle without the Ford Ambulance Prep Package to produce an ambulance voids the Ford warranty. Note: Stationary Elevated Idle Control (SEIC) has been integrated into the engine control module. Includes: - 397 Amp Alternators</i>	\$1,205.00
-----	--	------------

Prices and content availability as shown are subject to change and should be treated as estimates only. Actual base vehicle, package and option pricing may vary from this estimate because of special local pricing, availability or pricing adjustments not reflected in the dealer's computer system. See salesperson for the most current information.

Prepared for: Paul Hentges

Rosenbauer South Dakota
 Prepared by: BRIAN BARRY
 01/13/2022



Barry Motor Company | Highway 175 Danbury Iowa | 51019

2022 F-450 Chassis 4x4 SD Crew Cab 179" WB DRW XL (W4H)

Price Level: 245

As Configured Vehicle (cont'd)

Code	Description	MSRP
WARANT	Fleet Customer Powertrain Limited Warranty Requires valid FIN code.	N/C
<p><i>Ford is increasing the 5-year 60,000-mile limited powertrain warranty to 5-years, 100,000 miles. Only Fleet purchasers with a valid Fleet Identification Number (FIN code) will receive the extended warranty. When the sale is entered into the sales reporting system with a sales type fleet along with a valid FIN code, the warranty extension will automatically be added to the vehicle. The extension will stay with the vehicle even if it is subsequently sold to a non-fleet customer before the expiration. This extension applies to both gas and diesel powertrains. Dealers can check for the warranty extension on eligible fleet vehicles in OASIS. Please refer to the Warranty and Policy Manual section 3.13.00 Gas Engine Commercial Warranty. This change will also be reflected in the printed Warranty Guided distributed with the purchase of every new vehicle.</i></p>		

Emissions

425	50-State Emissions System	STD
-----	---------------------------	-----

Interior Color

AS_01	Medium Earth Gray	N/C
-------	-------------------	-----

Exterior Color

PQ_01	Race Red	N/C
-------	----------	-----

SUBTOTAL		\$52,030.00
Destination Charge		\$1,695.00
TOTAL		\$53,725.00

Prices and content availability as shown are subject to change and should be treated as estimates only. Actual base vehicle, package and option pricing may vary from this estimate because of special local pricing, availability or pricing adjustments not reflected in the dealer's computer system. See salesperson for the most current information.

Prepared for: Paul Hentges

Rosenbauer South Dakota
Prepared by: BRIAN BARRY
01/13/2022



Barry Motor Company | Highway 175 Danbury Iowa | 51019

2022 F-450 Chassis 4x4 SD Crew Cab 179" WB DRW XL (W4H)

Price Level: 245

Pricing Summary - Single Vehicle

	MSRP
<i>Vehicle Pricing</i>	
Base Vehicle Price	\$48,710.00
Options	\$3,320.00
Colors	\$0.00
Upfitting	\$0.00
Fleet Discount	\$0.00
Destination Charge	\$1,695.00
Total	\$53,725.00

Customer Signature

Acceptance Date

Prices and content availability as shown are subject to change and should be treated as estimates only. Actual base vehicle, package and option pricing may vary from this estimate because of special local pricing, availability or pricing adjustments not reflected in the dealer's computer system. See salesperson for the most current information.

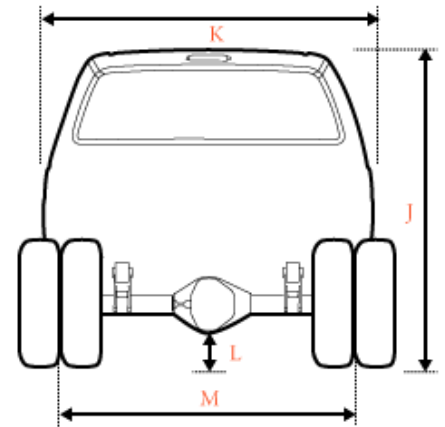
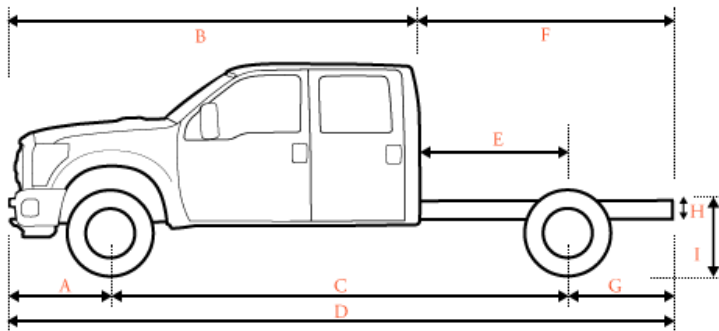


2022 F-450 Chassis 4x4 SD Crew Cab 179" WB DRW XL (W4H)

Price Level: 245

Vehicle Dimension and Performance Summary

Performance predictions in this report represent an estimate of vehicle performance based on standard operating conditions. Variations in customer equipment, load configuration, ambient conditions, and/or operator driving techniques can cause significant variations in vehicle performance. These values are not representative of results that may be shown in actual dynamometer tests. This report should therefore be used as a guide for comparative vehicle performance.



Dimensions

A	Front of Bumper to Front Axle	38.30 in.
B	Front Bumper to Back of Cab (BBC)	158.10 in.
C	Wheelbase (WB)	179.00 in.
D	Overall Length (OAL)	265.20 in.
E	Back of Cab to Rear Axle (CA)	60.00 in.
F	Back of Cab to End of Frame	107.20 in.
G	Rear Axle to End of Frame (AF)	47.20 in.
H	Frame Section Height	N/A
I	Rear Frame Height Unloaded	34.30 in.
I	Rear Frame Height Loaded	28.60 in.
J	Cab Height	81.80 in.
K	Body Width	80.00 in.
L	Maximum Ground Clearance	N/A
L	Minimum Ground Clearance	8.20 in.
M	Front Tread	74.80 in.
M	Rear Tread	74.00 in.

Prices and content availability as shown are subject to change and should be treated as estimates only. Actual base vehicle, package and option pricing may vary from this estimate because of special local pricing, availability or pricing adjustments not reflected in the dealer's computer system. See salesperson for the most current information.

Prepared for: Paul Hentges

Rosenbauer South Dakota
Prepared by: BRIAN BARRY
01/13/2022

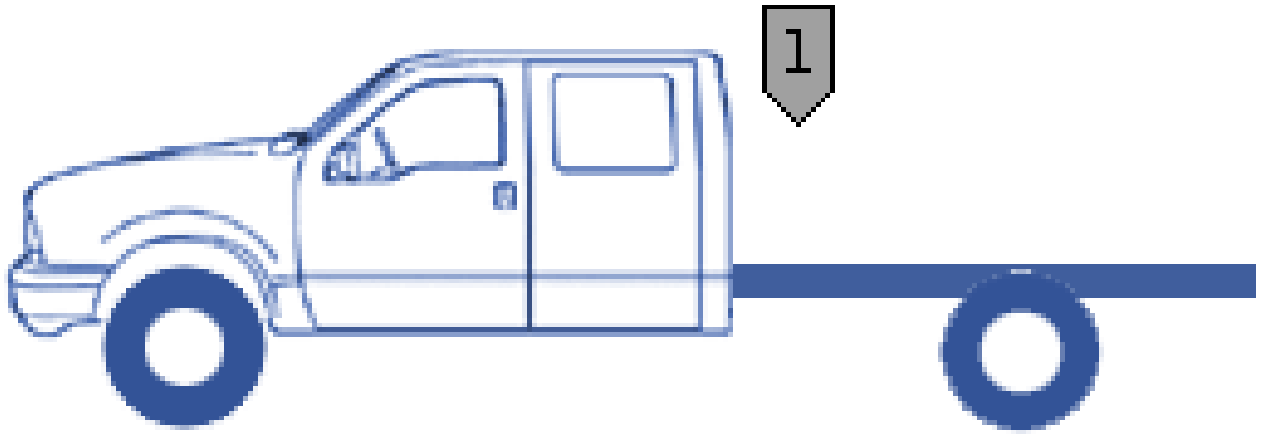


Barry Motor Company | Highway 175 Danbury Iowa | 51019

2022 F-450 Chassis 4x4 SD Crew Cab 179" WB DRW XL (W4H)

Price Level: 245

Vehicle Dimension and Performance Summary (cont'd)



Weight

Licensing

GVWR does not exceed 26,000 lbs and may not require a Commercial Driver's License (CDL). Contact your local state commercial driver licensing office for specifics on what your state requires.

GVW	Front Axle	Rear Axle	Totals
Chassis	4,296 lbs	3,215 lbs	7,511 lbs
Body	0 lbs	0 lbs	0 lbs
Occupants Weight	600 lbs	300 lbs	900 lbs
1 Max Payload - (Max Payload)	2,104 lbs	5,985 lbs	8,089 lbs
TOTAL	7,000 lbs	9,500 lbs	16,500 lbs

Ratings	Front Axle	Rear Axle	GVWR
GAWR	7,000 lbs	12,880 lbs	16,500 lbs
Wheels/Tires	7,500 lbs	15,000 lbs	
Suspension	7,000 lbs	12,880 lbs	
Axle	6,500 lbs	12,880 lbs	
Legal Axle Limit	0 lbs	0 lbs	

Prices and content availability as shown are subject to change and should be treated as estimates only. Actual base vehicle, package and option pricing may vary from this estimate because of special local pricing, availability or pricing adjustments not reflected in the dealer's computer system. See salesperson for the most current information.

Prepared for: Paul Hentges

Rosenbauer South Dakota
Prepared by: BRIAN BARRY
01/13/2022



Barry Motor Company | Highway 175 Danbury Iowa | 51019

2022 F-450 Chassis 4x4 SD Crew Cab 179" WB DRW XL (W4H)

Price Level: 245

Vehicle Dimension and Performance Summary (cont'd)

Start, Grade and Speed

Start	Ratio	Desired	Calculated
Start grade capability in 1st gear	4.62	15.00 %	37.93 %
Start grade capability in reverse	4.70	15.00 %	38.59 %
Grade	Ratio	Desired	Calculated
Maximum grade in 8th gear	0.85	3.00 %	7.10 %
Maximum grade in 9th gear	0.69	3.00 %	5.73 %
Maximum grade in 10th gear	0.63	3.00 %	5.27 %
Speed		Desired	Calculated
Top Speed (level grade)		75 mph	118 mph
<i>To meet your requirement you need a maximum axle ratio of 9.18</i>			
Top Speed on 3.0% grade		55 mph	
<i>To meet your requirement you need a maximum of 109 hp</i>			
Cruise Speed		60 mph	78 mph
Engine RPM at desired cruise speed			1,989 rpm

Variables in Use

Rear axle ratio:	4.88/4.88	Peak Torque RPM:	3,900 rpm
Tire size:	225/70R19.5 (645 rev/mile)	Frontal Area:	40.44 Sq.Ft.
Gross Vehicle Weight (GVW):	16,500 lbs	Cruising RPM:	2,600 rpm
Clutch engagement torque:	234 ft.lbs.	Worst road surface:	Typical Highway
Torque conversion ratio:	1.97	Final Drive Ratio:	0.63
Peak engine torque:	468 ft.lbs.	Drag Coefficient:	0.80
Engine Power:	350 hp @ 3,900 rpm		

Prices and content availability as shown are subject to change and should be treated as estimates only. Actual base vehicle, package and option pricing may vary from this estimate because of special local pricing, availability or pricing adjustments not reflected in the dealer's computer system. See salesperson for the most current information.

2022 F-450 Chassis 4x4 SD Crew Cab 179" WB DRW XL (W4H)

Price Level: 245

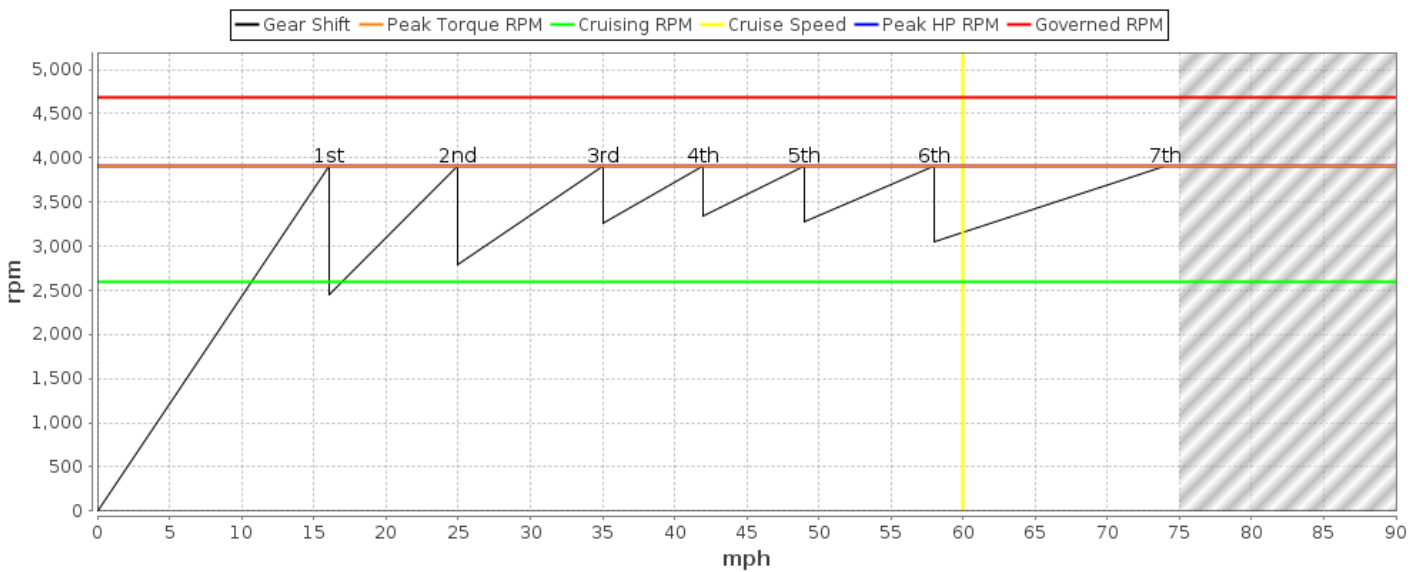
Vehicle Dimension and Performance Summary (cont'd)

Shift Chart

Shift Chart displays mathematical geared speed.

Diesel engines use Governed RPM for shift points.

Gas engines use Peak Torque RPM for shift points.



Turning Radius

Turning Radius 25.55 ft

