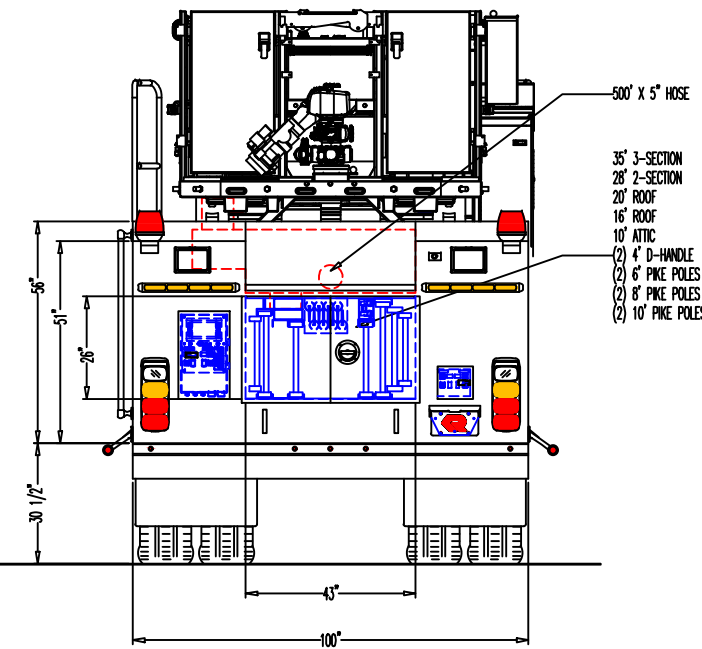
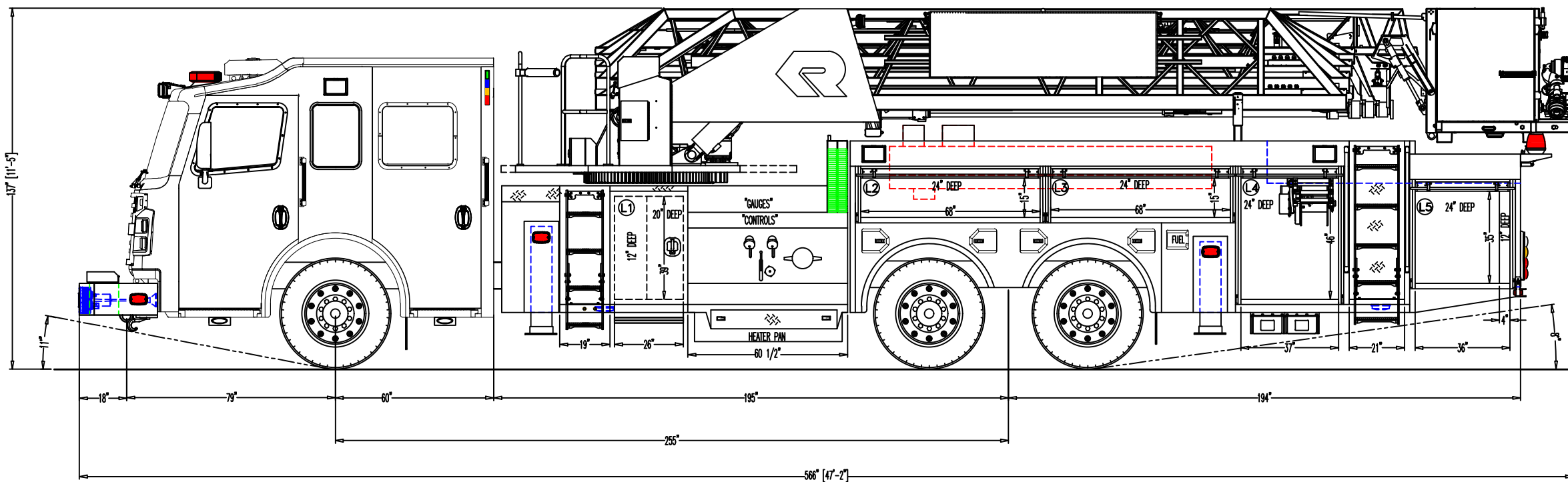


1.5" FRONT BUMPER DISCHARGE
CENTER HOSEWELL



**=PROPOSED=
STOCK 100' MIDMOUNT
(BLACK)**

- NOTES:**
1. OVERALL HEIGHT IS IN LOADED CONDITION. UNLOADED HEIGHTS MAY BE 4" ABOVE HEIGHTS SHOWN.
 2. DO NOT SCALE DRAWING.
 3. ALL DIMENSIONS ARE APPROXIMATE AND SUBJECT TO ENGINEERING CHANGES.
 4. DRAWING MAY OR MAY NOT SHOW ALL ITEMS AS DESCRIBED IN THE WRITTEN DETAIL SPECIFICATIONS.
 5. INCLUSION OF AN ITEM ON THE DRAWING DOES NOT CONSTITUTE INCLUSION OF THAT ITEM WITH THE FINAL DELIVERED UNIT.

REVISED: ATG	DATE: 03-22-2022 (R-04)
REVISED: MDL	DATE: 02-17-2022 (R-03)
REVISED: ATG	DATE: 02-01-2022 (R-02)
DRAWN: ATG	DATE: 01-26-2022 (STOCK MID-MOUNT)

PROPRIETARY AND CONFIDENTIAL
THE INFORMATION CONTAINED IN THIS DRAWING IS
THE SOLE PROPERTY OF ROSENBAUER. ANY
REPRODUCTION IN PART OR AS A WHOLE WITHOUT
THE WRITTEN PERMISSION OF ROSENBAUER IS
PROHIBITED.

APPROVED BY:

MAXIMUM HEIGHT	N/A	CHASSIS: ROSENBAUER WARRIOR R6000
MAXIMUM LENGTH	N/A	PUMP: RSNBR N80 2250 GPM
BODY WIDTH	100"	TANK: POLY 300/30 GAL.
		TYPE: AERIAL
		AERIAL: 100' MIDMOUNT PLATFORM



ROSENBAUER EXT

DRAWING NUMBER: -
REV: 01
P8413