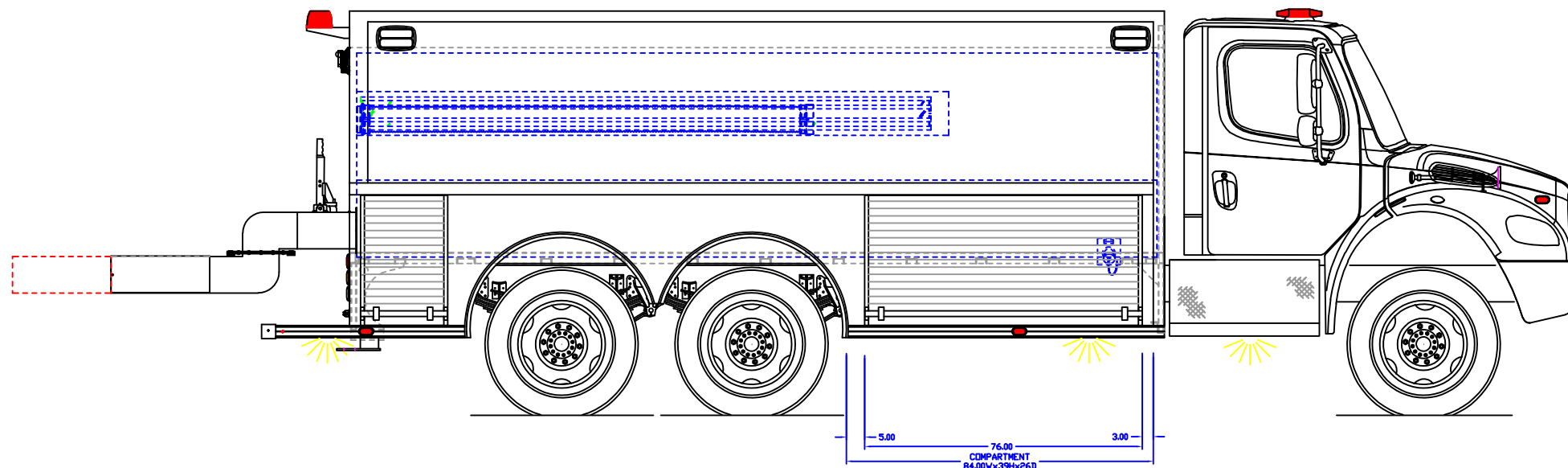
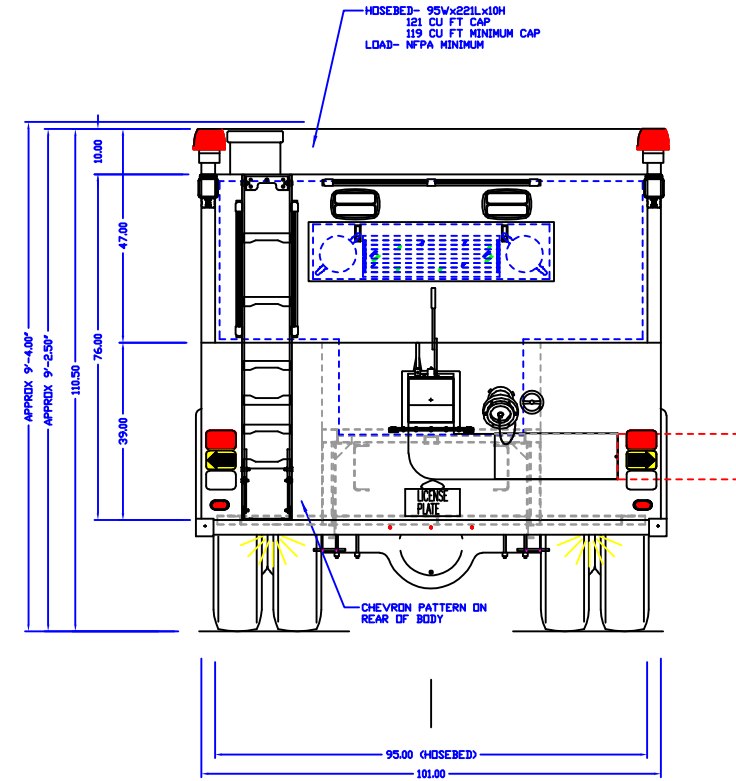
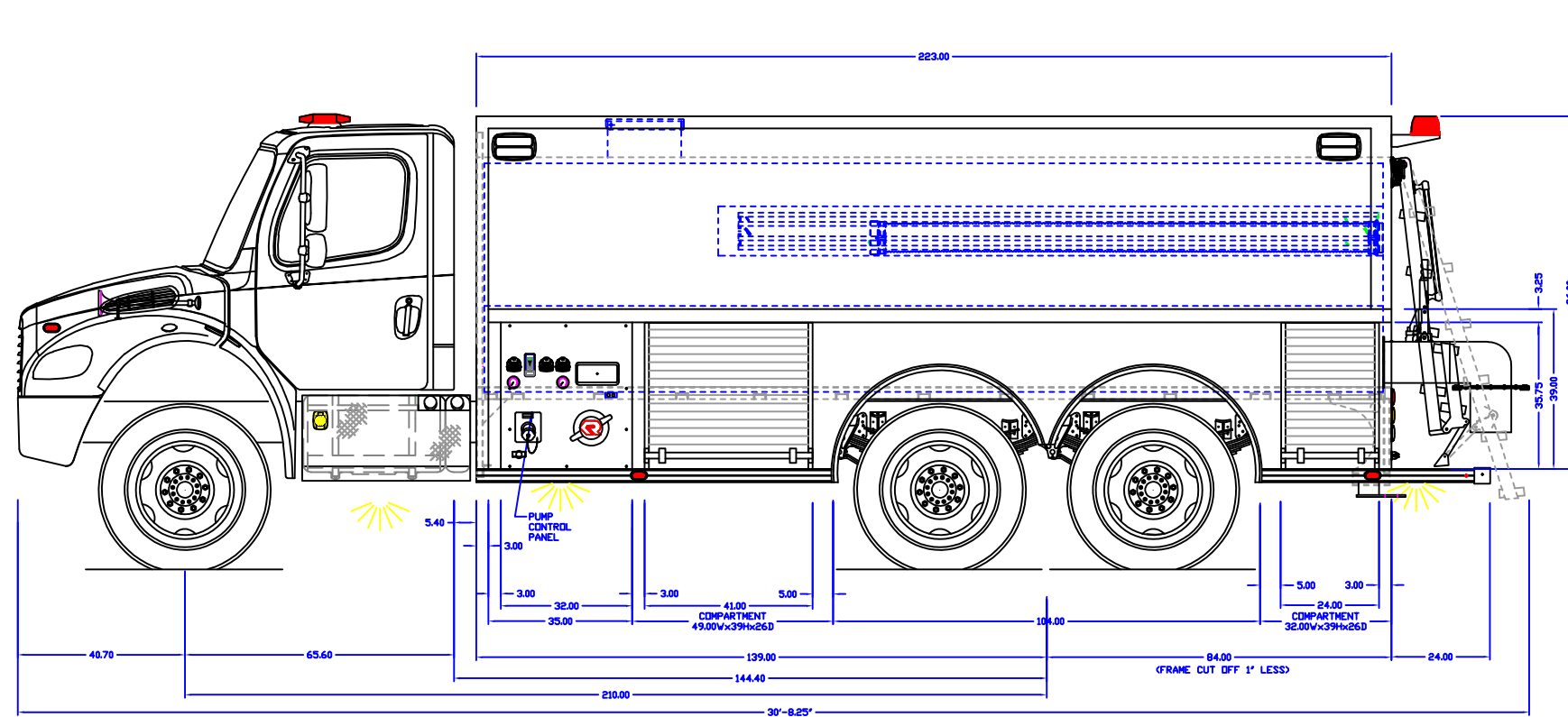


INITIALS: EH  
 JOB NUMBER: 22207-22218  
 DATE: 12/23/2021

MAIN FILE: -  
 DEPT: -  
 DEALER: -

PRODUCTION APPROVED

- NOTES:
1. OVERALL HEIGHT IS IN LOADED CONDITION. UNLOADED HEIGHTS MAY BE 4" ABOVE HEIGHTS SHOWN.
  2. DO NOT SCALE DRAWING.
  3. ALL DIMENSIONS ARE APPROXIMATE AND SUBJECT TO ENGINEERING CHANGES.
  4. DRAWING MAY OR MAY NOT SHOW ALL ITEMS AS DESCRIBED IN THE WRITTEN DETAIL SPECIFICATIONS.
  5. INCLUSION OF AN ITEM ON THE DRAWING DOES NOT CONSTITUTE INCLUSION OF THAT ITEM WITH THE FINAL DELIVERED UNIT.
  6. THE EFFECTIVE DOOR OPENINGS WILL BE APPROX. 2" LESS THAN THE NOTED COMPARTMENT OPENING FOR ROLL UP DOORS AND UP TO APPROX. 4" LESS FOR HINGED DOORS



APPROVED BY:

CHASSIS: FREIGHTLINER  
 PUMP: DARLEY 500 GPM  
 TANK: POLY/3000  
 PANEL MATL: LINE X  
 COMP INTERIOR: SPATTER PAINTED

REVISED: - DATE: -  
 DRAWN: BPC DATE: 12-06-21

PROPRIETARY AND CONFIDENTIAL  
 THE INFORMATION CONTAINED IN THIS DRAWING IS THE SOLE PROPERTY OF ROSENBAUER. ANY REPRODUCTION IN PART OR AS A WHOLE WITHOUT THE WRITTEN PERMISSION OF ROSENBAUER IS PROHIBITED.

MAXIMUM HEIGHT	NONE
MAXIMUM LENGTH	NONE
BODY WIDTH	101"

# RSD STOCK 3000 GALLON TANKER



ROSENBAUER FX 1/8"  
 DRAWING NUMBER: RSD STOCK 3000 GAL TANKER  
 REV: -