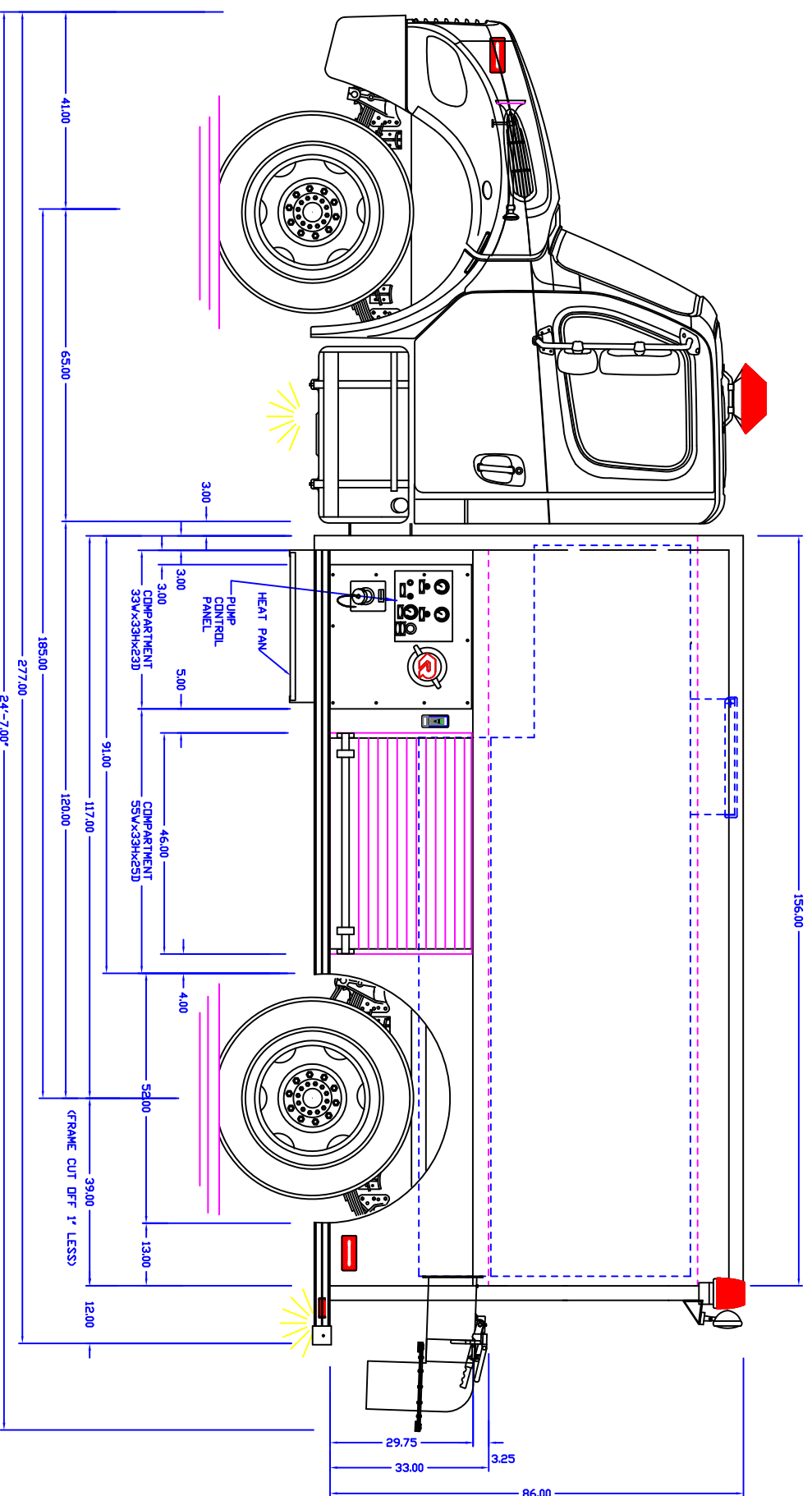


APPROVED BY:



OK FOR PRODUCTION

INITIALS: PD

JOB NUMBER: 2918

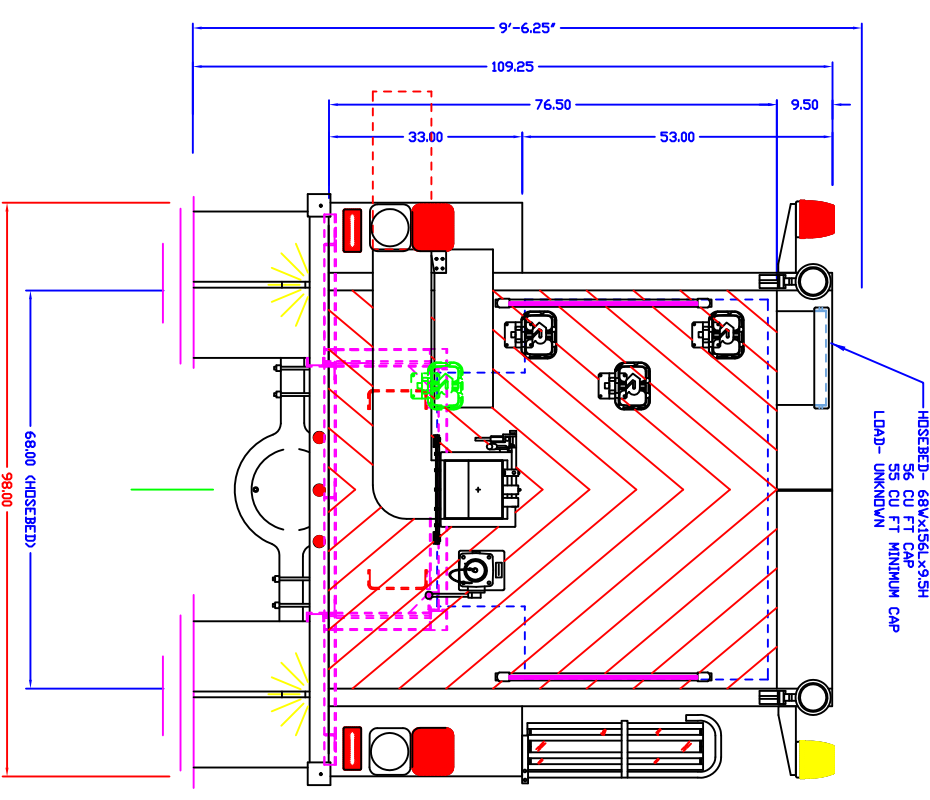
DATE: 06-30-10

MAIN FILE: _____

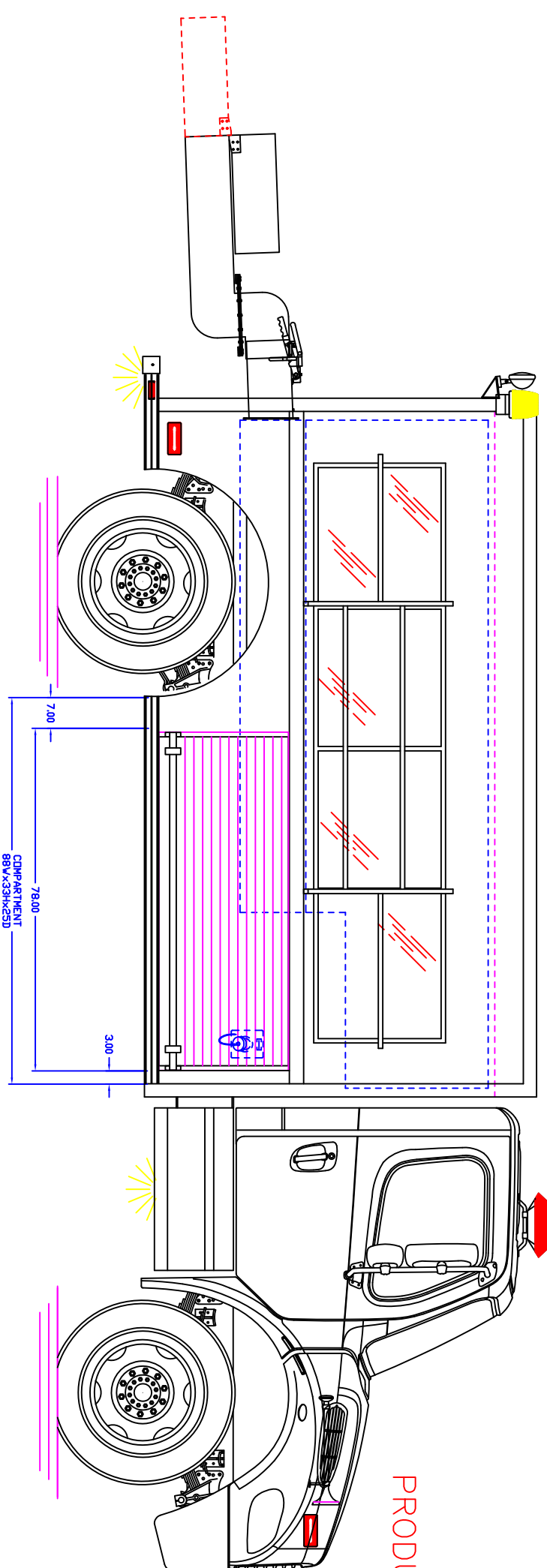
DEPT: _____

DEALER: _____

PRODUCTION APPROVED



NOTE: TANK CAP - 1800 GAL. POLYPROPYLENE
 PUMP - 500 GPM DARLEY
 DIMENSIONS SHOWN ARE APPROXIMATE AND ARE SUBJECT TO MINOR DEVIATIONS DURING CONSTRUCTION
 NOT ALL ITEMS IN SPECS ARE SHOWN ON THIS PRINT
 COMPARTMENT INTERIORS SPATTER PAINT
 NFPA UPPER LIGHT PACKAGE - CODE 3
 NFPA LOWER LIGHT PACKAGE - CODE 3
 ROLL UP DOOR EFFECTIVE OPENING - 3" NARROWER AND 5" SHORTER THAN ACTUAL OPENING IN BODY



NONE	MAXIMUM HEIGHT	DATE: 07-17-08	DATE: 12-02-08	DATE: 12-15-09
NONE	MAXIMUM LENGTH			
98"	BODY WIDTH	PROGRAM		



TOSHIBA

2918 DEMO TANKER

0 ***** 4" SCALE, REF. ONLY ***** 12 Demo Tanker Alum