

# FIRESTAR

Wet Side Tanker

 **rosenbauer**



Pre-Engineered to Save you Time and Money.  
Unit shown may have optional equipment.



**Designed for quick delivery, this unit is a base model with a wide variety of pre-packaged options. The Firestar Series, with pre-engineered options, can be designed to meet your department's needs.**

## Chassis

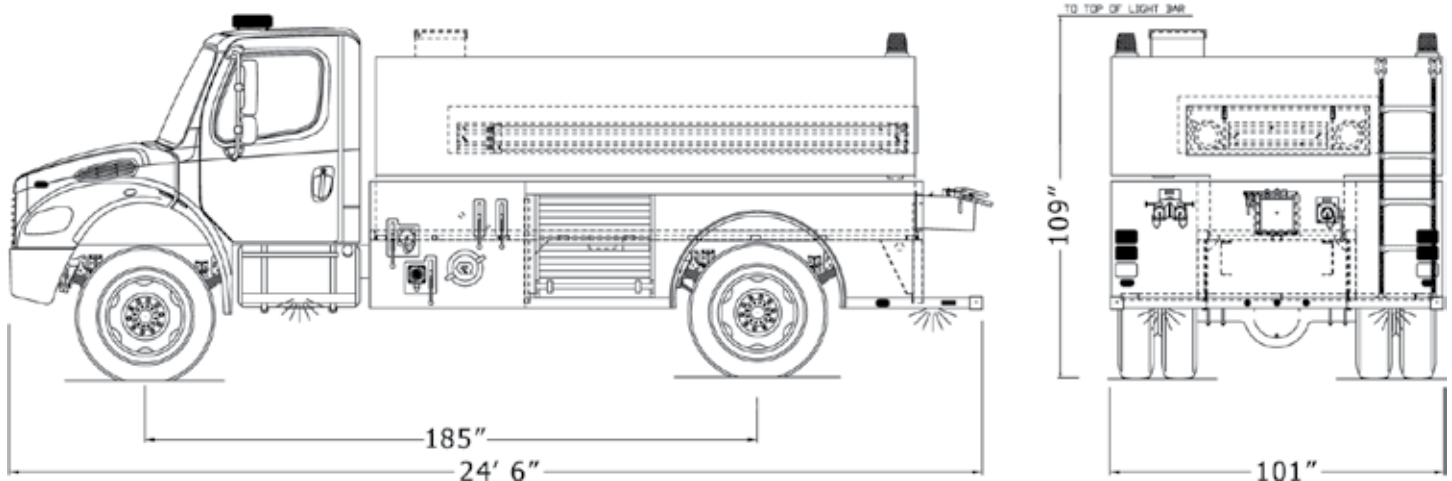
- » Freightliner M2 Chassis
- » 300 Hp Engine
- » Allison Automatic Transmission
- » 12,000 lb. Front Axle
- » 23,000 lb. Rear Axle
- » Air Conditioning
- » Three Person Seating
- » Seat Belt Warning System
- » Vehicle Data Recorder (VDR)

## Body

- » Aluminum Body with Two Compartments
- » Darley HM500 PTO Pump with Pump-and-Roll
- » 1800 Gallon Poly Tank
- » One 2-1/2" Left Side Discharge
- » One 2-1/2" Left Side Rear Discharge
- » 10" Dump Valve
- » Roll-Up Doors
- » Slide-In Drop Tank/Hard Suction Hose Compartment
- » Chevron Style Reflective Striping (on the Rear Body Face)
- » Whelen LED Lower Light Package (Including Tail Lights)
- » Whelen LED Light Bar w/ Halogen Upper Rear Rotators
- » Whelen Siren Package

**Price:** \$ \_\_\_\_\_

## 1800 Gallon Tank



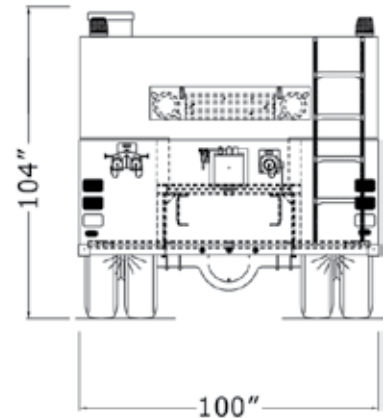
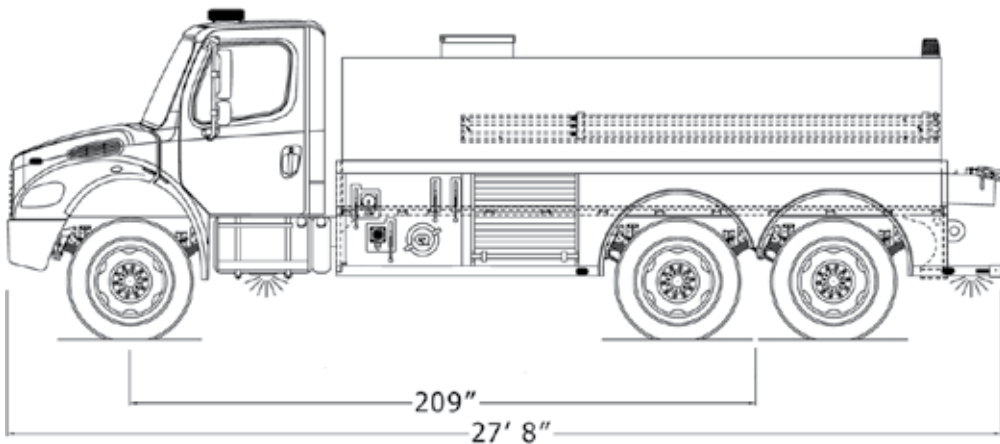
# OPTIONS

<input type="checkbox"/> International two door chassis IPO standard Freightliner	\$ _____
<input type="checkbox"/> 3,000 gallon poly tank with tandem axle (350 hp Freightliner M2106; 14,600 lb. front axle; 40,000 lb. rear axle; Allison auto. trans.)	\$ _____
<input type="checkbox"/> Wheel trim package	\$ _____
<input type="checkbox"/> Two door cab step overlays	\$ _____
<input type="checkbox"/> Hosebed with cover	\$ _____
<input type="checkbox"/> Darley PSP 1250 GPM PTO pump	\$ _____
<input type="checkbox"/> One 2-1/2" rear direct tank fill	\$ _____
<input type="checkbox"/> Two 1-3/4" speedlays above pump	\$ _____
<input type="checkbox"/> Swivel dump valve extension	\$ _____
<input type="checkbox"/> 2100 gallon folding tank	\$ _____
<input type="checkbox"/> Code 3 LED light package	N/C
<input type="checkbox"/> Federal Signal LED light package	\$ _____
<input type="checkbox"/> Air compressor (with battery charger and auto eject)	\$ _____
<input type="checkbox"/> Air horns	\$ _____
<input type="checkbox"/> Apparatus color: <input type="checkbox"/> Red <input type="checkbox"/> White	N/C
<input type="checkbox"/> Custom single tone color (color code: _____)	\$ _____
<input type="checkbox"/> Two tone paint (upper is white; lower code: _____)	\$ _____
<input type="checkbox"/> Lettering	\$ _____

**Total Options Cost:** \$ \_\_\_\_\_

Prices valid through 12/31/11

## 3000 Gallon Tank





---

South Dakota Division  
100 Third Street  
Lyons, SD 57041  
605.543.5591

Minnesota Division  
5181 260th Street  
Wyoming, MN 55092  
651.462.1000

Aerials Division  
870 South Broad Street  
Fremont, NE 68025  
402.721.7622

Sales Division  
605.543.5591  
[info@rosenbaueramerica.com](mailto:info@rosenbaueramerica.com)