

FIRESTAR

Light Rescue



Pre-Engineered to Save you Time and Money.
Unit shown may have optional equipment.



Designed for quick delivery, this unit is a base model with a wide variety of pre-packaged options. The Firestar Series, with pre-engineered options, can be designed to meet your department's needs.

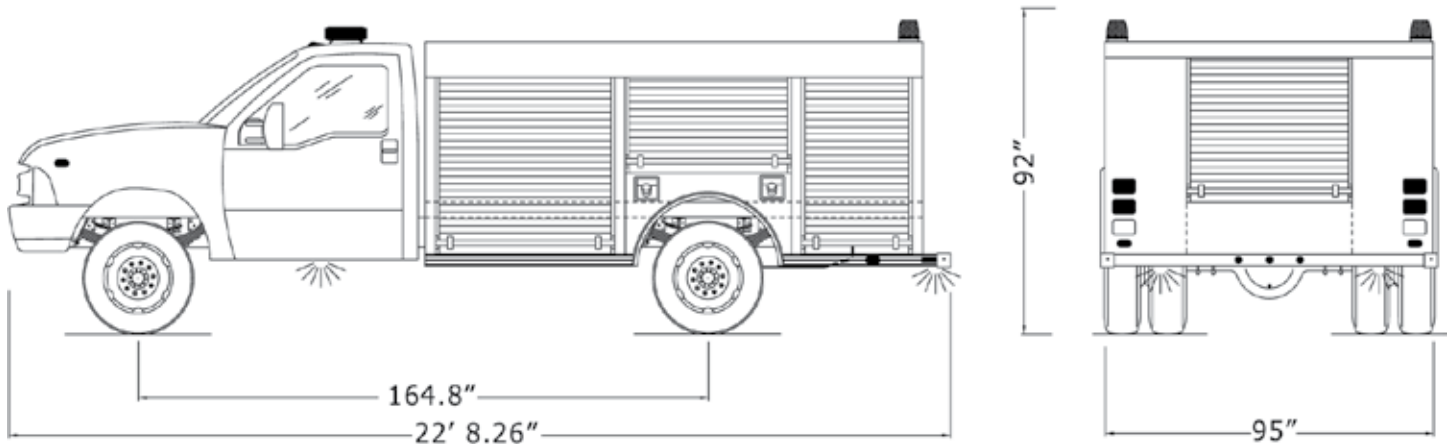
Chassis

- » Two Door F-350 Ford 4x4 Chassis
- » 6.7 L Power Stroke Ford Engine (Diesel)
- » Automatic Transmission
- » Dual Alternators
- » 84" Cab to Axle
- » Air Conditioning
- » Full Bench Seat
- » Ambulance Prep Package

Body

- » Aluminum Body
- » Roll-Up Doors
- » Right and Left Front Transverse Compartments
- » Right and Left Transverse Compartments above Rear Wheels
- » Right and Left Rear Compartments (Depth to Chassis Frame)
- » Rear Compartment (Depth to Center Transverse Compartment)
- » Single Color Paint
- » 4" Reflective Stripe (White)
- » Chevron Style Reflective Striping (on the Rear Body Face)
- » Whelen LED Lower Light Package (Including Tail Lights)
- » Whelen LED Light Bar with Halogen Upper Rear Rotators
- » Whelen Siren Package

Price: \$ _____



OPTIONS

<input type="checkbox"/> F-550 chassis		\$ _____
<input type="checkbox"/> Four door chassis		\$ _____
<input type="checkbox"/> Aluminum shelves	Qty: _____ x \$ _____	\$ _____
<input type="checkbox"/> Pull-out tool boards	Qty: _____ x \$ _____	\$ _____
<input type="checkbox"/> Slide-out trays	Qty: _____ x \$ _____	\$ _____
<input type="checkbox"/> Roll-out/tilt down trays	Qty: _____ x \$ _____	\$ _____
<input type="checkbox"/> Wheel trim package		\$ _____
<input type="checkbox"/> Exterior cab trim package (includes chrome bumper and treadplate cab running boards)		\$ _____
<input type="checkbox"/> Code 3 LED light package		N/C
<input type="checkbox"/> Federal Signal LED light package		\$ _____
<input type="checkbox"/> 12-volt scene lights side and rear (total of six)		\$ _____
<input type="checkbox"/> Honda 5 kW generator (with two telescoping flood lights)		\$ _____
<input type="checkbox"/> 12,000 lb. electric winch		\$ _____
<input type="checkbox"/> Apparatus color: <input type="checkbox"/> Red <input type="checkbox"/> White		N/C
<input type="checkbox"/> Two tone paint (upper is white; lower code: _____)		\$ _____
<input type="checkbox"/> Painted roll-up doors		\$ _____
<input type="checkbox"/> Lettering		\$ _____

Total Options Cost: \$ _____

Prices valid through 12/31/11



South Dakota Division
100 Third Street
Lyons, SD 57041
605.543.5591

Minnesota Division
5181 260th Street
Wyoming, MN 55092
651.462.1000

Aerials Division
870 South Broad Street
Fremont, NE 68025
402.721.7622

Sales Division
605.543.5591
info@rosenbaueramerica.com