

FIRESTAR

Rescue



Pre-Engineered to Save you Time and Money.
Unit shown may have optional equipment.



Designed for quick delivery, this unit is a base model with a wide variety of pre-packaged options. The Firestar Series, with pre-engineered options, can be designed to meet your department's needs.

Walk-In Body

- » Aluminum Body
- » Roll-Up Doors
- » Sliding Windows
- » Four Compartments Left Side
- » Four Compartments Right Side
- » Insulated Crew Area
- » Single Color Paint
- » 4" Reflective Stripe (White)
- » Chevron Style Reflective Striping (on the Rear Body Face)
- » Whelen LED Light Package (Including Tail Lights)
- » Whelen Siren Package

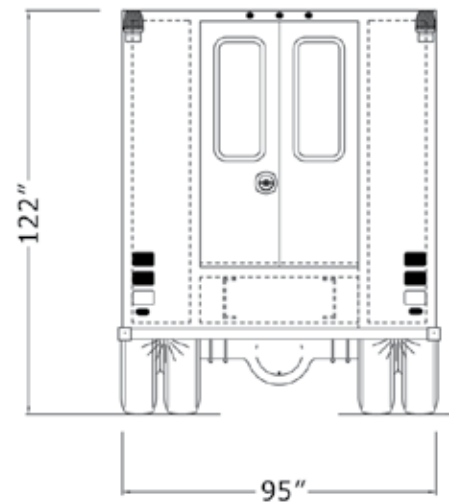
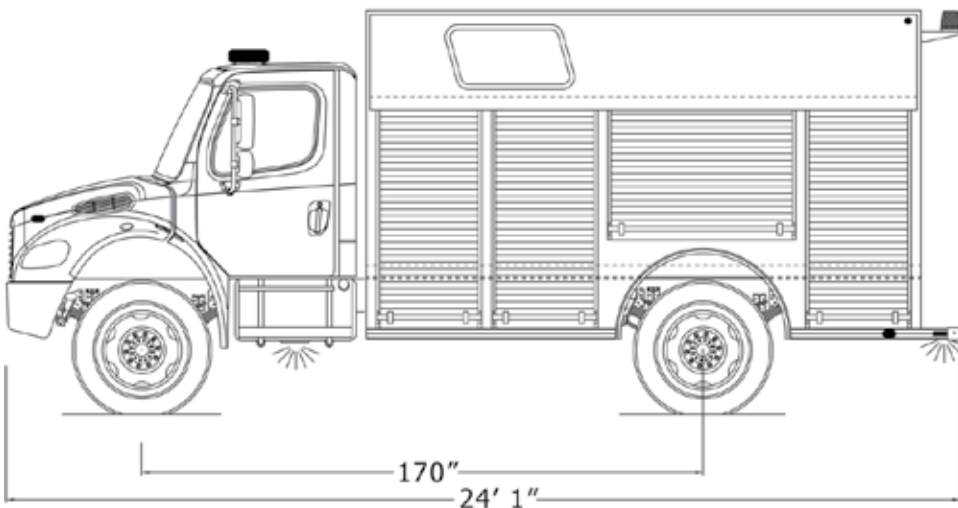
Commercial Chassis

- » Two Door Freightliner M2 Chassis
- » 300 Hp Cummins Engine (Diesel)
- » 3000 Series Allison Automatic Transmission
- » 270 Amp Alternator
- » 12,000 lb. Front Axle
- » 23,000 lb. Rear Axle
- » ABS Braking System (Air)
- » Air Conditioning
- » Three Person Seating
- » Vehicle Data Recorder (VDR)
- » Seat Belt Warning System

Non Walk-In Body

- » Aluminum Body
- » Roll-Up Doors
- » Rear Compartment (in Depth to Center Transverse Compartment)
- » Right and Left Transverse Compartment (Behind Chassis)
- » Right and Left Transverse Compartment (Above Rear Wheels)
- » Right and Left Rear Compartment (in Depth of Frame)
- » Single Color Paint
- » 4" Reflective Stripe (White)
- » Chevron Style Reflective Striping (on the Rear Body Face)
- » Whelen LED Lower Light Package (Including Tail Lights)
- » Whelen LED Light Bar w/ Halogen Upper Rear Rotators
- » Whelen Siren Package

Price: \$ _____

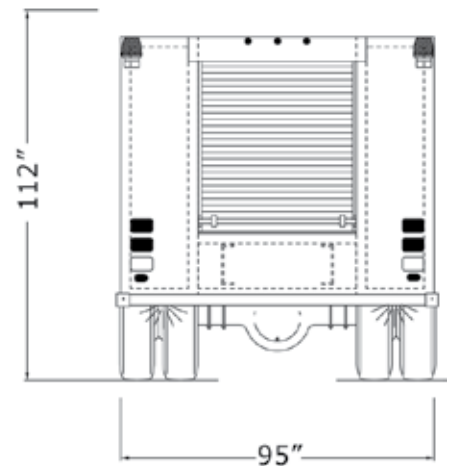
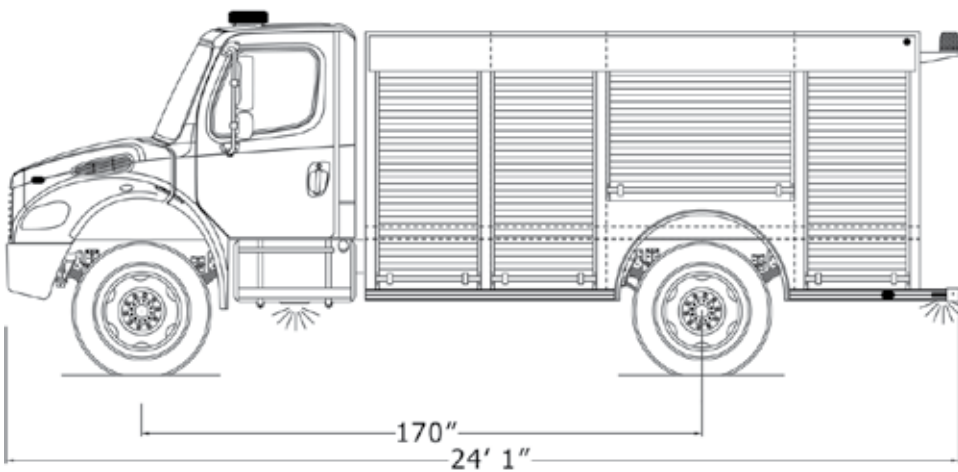


Walk-In and Non Walk-In Options

- | | |
|---|--|
| <input type="checkbox"/> International two door chassis (IPO standard Freightliner) \$ _____ | <input type="checkbox"/> Super Vac KL450 flood light \$ _____ |
| <input type="checkbox"/> Four door Freightliner M2 (with four SCBA seats) \$ _____ | <input type="checkbox"/> Honda 5 kW generator (with two 500 Watt telescoping lights) \$ _____ |
| <input type="checkbox"/> International four door chassis (IPO standard Freightliner) \$ _____ | <input type="checkbox"/> Smart Power 8 kW hydraulic generator (with two 500 Watt telescoping lights, 4-plex outlet and load center) \$ _____ |
| <input type="checkbox"/> Four SCBA compartments \$ _____ | <input type="checkbox"/> Green Star ABP two-battery system \$ _____ |
| <input type="checkbox"/> Alum. tool boards Qty: _____ x \$ _____ \$ _____ | <input type="checkbox"/> Air compressor (with battery charger and auto eject) \$ _____ |
| <input type="checkbox"/> Adjustable shelves Qty: _____ x \$ _____ \$ _____ | <input type="checkbox"/> Apparatus color: <input type="checkbox"/> Red <input type="checkbox"/> White N/C |
| <input type="checkbox"/> Pull-out tool boards Qty: _____ x \$ _____ \$ _____ | <input type="checkbox"/> Custom single tone color (color code: _____) \$ _____ |
| <input type="checkbox"/> Roll-out trays Qty: _____ x \$ _____ \$ _____ | <input type="checkbox"/> Two tone paint (upper is white; lower code: _____) \$ _____ |
| <input type="checkbox"/> Swing-out tool boards Qty: _____ x \$ _____ \$ _____ | <input type="checkbox"/> Lettering \$ _____ |
| <input type="checkbox"/> Roll-out/tilt down trays Qty: _____ x \$ _____ \$ _____ | <input type="checkbox"/> Reflective striping |
| <input type="checkbox"/> Wheel trim package \$ _____ | <input type="checkbox"/> 4" S design \$ _____ |
| <input type="checkbox"/> Two door cab step overlays \$ _____ | <input type="checkbox"/> 6" S design \$ _____ |
| <input type="checkbox"/> Four door cab step overlays \$ _____ | <input type="checkbox"/> 4" Z design \$ _____ |
| <input type="checkbox"/> Four door cab step overlays (with one comp. on each side) \$ _____ | <input type="checkbox"/> 6" Z design \$ _____ |
| <input type="checkbox"/> Four door cab step overlays (with booster reel, tool compartment and 150' of 1" hose) \$ _____ | |
| <input type="checkbox"/> Hinged doors \$ _____ | |
| <input type="checkbox"/> Air conditioned crew area (walk-in body only) \$ _____ | |
| <input type="checkbox"/> Code 3 LED light package N/C | |
| <input type="checkbox"/> Federal Signal LED light package \$ _____ | |

Total Options Cost: \$ _____

Prices valid through 12/31/11





South Dakota Division
100 Third Street
Lyons, SD 57041
605.543.5591

Minnesota Division
5181 260th Street
Wyoming, MN 55092
651.462.1000

Aerials Division
870 South Broad Street
Fremont, NE 68025
402.721.7622

Sales Division
605.543.5591
info@rosenbaueramerica.com