

FIRESTAR
TANKER
PRE-ENGINEERED
Program Trucks
by Rosenbauer



ROSENBAUERAMERICA.COM
READY TO SERVE™

Central Division

100 Third Street • Lyons, SD 57041 • Phone: (605) 543-5591 • Fax: (605) 543-5593 • E-mail: sales@rosenbaueramerica.com

Pre-Engineered to Save you Time and Money.
Unit shown may have optional equipment.



Designed for quick delivery, this unit is a base model with a wide variety of pre-packaged options. **The Firestar Series, with pre-engineered options, can be designed to meet your departments needs.**

Standard Features

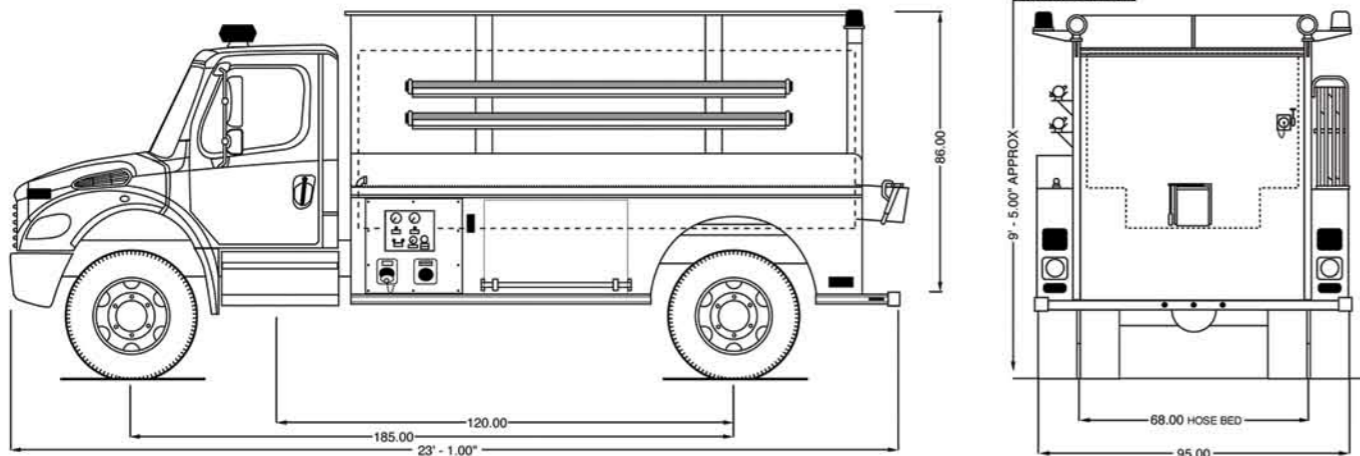
Commercial Chassis

- > Two Door Freightliner M2
- > 300 Hp Cummins Engine (Diesel)
- > 3000 Series Allison Automatic
- > 270 Amp Alternator
- > 12,000 lb. Front Axle
- > 23,000 lb. Rear Axle
- > ABS Braking System (Air)
- > Air Conditioning
- > Three Person Seating

Body

- > Galvanneal Body
- > 500 GPM PTO Pump
- > Electronic Governor/Gauge Package
- > (1) 4" Intake Driver Side
- > (1) 2-1/2" Driver Side Discharge
- > (1) 2-1/2" Passenger Side Discharge
- > (1) 10" Rear Quick Dump
- > Left & Right Low Compartments
- > Chevron Style Reflective Striping on the Entire Rear Body Face
- > Vehicle Data Recorder (VDR)
- > Seat Belt Warning System
- > Rear Deck Lights
- > Code 3 NFPA Light Package
- > Code 3 Siren w/Speaker
- > 4" Reflective Stripe (White)
- > Roll-Up Doors
- > 1800 Gallon Poly Booster Tank
- > Hosebed Cover

Price: \$ _____



Options

- International Two (2) door Chassis - IPO standard Freightliner
- Aluminum Body
- (1) 2-1/2" Rear direct tank fill
- Drivers side cat-walk hosebed with 2" plumbing and cover
- Ladder mounts
- Hosebed divider(s) Qty: _____ x \$
- Hard suction mounts
- Folding tank carrier
- Air horns
- Whelen light package (strobe)
- Code 3 LED warning light package
- LED tail lights
- Chassis color: Red White
- Two tone cab paint Upper color: White Lower color code: _____
- Custom single tone chassis color - Color code: _____
- Lettering
- Equipment package:
 - (1) 24' extension ladder
 - (1) 14' roof ladder
 - (1) 10' attic ladder
 - (2) 4" hard suction hose with strainer
- 2100 Gallon folding tank
- Exterior cab trim package - includes chrome bumper and treadplate cab running boards
- Air compressor w/battery charger w/auto eject
- Hinged doors
- Wheel trim package
- Swivel dump valve extension

Total Cost: \$ _____

(FOB Lyons, South Dakota)
Prices good through 12/31/10